



PAT McCRORY  
Governor

NICHOLAS J. TENNYSON  
Secretary

August 24, 2016

**Addendum No. 1**

Contract No.: DA00309

WBS Element: 44226

*Stone and Elevated Walkway Construction in Dare County*

To Whom It May Concern:

Reference is made to the proposal and plans previously furnished for this project.

The following revisions have been made to the proposal and plans:

Page No. 34, "Trail Construction" has been revised to clarify the trail flagging responsibilities. Please void existing Page No. 34 and replace with revised Page No. 34.

Page No. 35, "Trail Construction" has been revised to clarify the acceptable surface material. Please void existing Page No. 35 and replace with revised Page No. 35.

Page No. 61A, "Floating Turbidity Curtain" has been included. Please insert Page No. 61A in the proposal provided previously.

Page No. 85, "Bid Form" has been revised to include a line item for "Floating Turbidity Curtain". Please void existing Page No. 85 and replace with revised Page No. 85.

Plan Sheet No. 2 "Pedestrian Trail Section" has been revised to remove the reference to "78M Stone" and replaced it with "Granite Screenings". Please void existing Plan Sheet No. 2 and replace with revised Plan Sheet No. 2.

Plan Sheet No. 5 "Alignment - L1 -" has been revised to remove the Wheel Chair Ramp at Sta. 17+26.95. Please void existing Plan Sheet No. 5 and replace with revised Plan Sheet No. 5.

Plan Sheet No. 6 "Alignment - L2 -" has been revised to remove the Wheel Chair Ramp at Sta. 10+00.00. Please void existing Plan Sheet No. 6 and replace with revised Plan Sheet No. 6.



Plan Sheet No. 7 "Erosion Control Plan" has been revised to remove the note concerning the installation of the "Temporary Silt Fence" and to remove the note concerning "Floating Turbidity Curtain". Please void existing Plan Sheet No. 7 and replace with revised Plan Sheet No. 7.

If you choose the "Electronic Bid Preparation with Manual Delivery Method" or "Traditional Paper Bid Method," please acknowledge receipt of Addendum #1 in the space provided on the Addendum Acknowledgement Form.

If you choose the "Electronic Bid Preparation with Manual Delivery Method," place DA00309.001 in the same folder with DA00309.EBS, so that Expedite Bid will properly apply the addendum.

Sincerely,

DocuSigned by:



99A5A272ED6A447...

W. B. Hobbs, PE

Division Project Manager

WBH/ces

Attachment

cc: A. W. Roper, PE  
C. S. Mebane, PE  
R. W. Midgett, PE

**ROADWAY SPECIAL PROVISIONS****REVISED 8/24/2016****NOTE TO CONTRACTOR:**

This contract is to construct a pedestrian trail extending from the Dare County Welcome Center / Rest Area to Toler Road and then from Skyco Road to UNC Coastal Studies Institute as outlined in the drawings.

**CLEARING AND GRUBBING - METHOD II:**

Perform clearing on this project to the limits established by Method "II" shown on Standard Drawing No. 200.02 of the *2012 Roadway Standard Drawings*. Conventional clearing methods may be used except where permit drawings or conditions have been included in the proposal which require certain areas to be cleared by hand methods.

A clearing zone shall be provided for the trail, with horizontal limits extending a minimum of four feet from the outside of edging material and vertical limits extending a minimum of eight feet above the finished elevation of the trail. Vegetation shall be removed from the clearing zone. For limbs hanging within the clearing zone but originating from stems outside the clear zone, the limbs shall be pruned at or beyond the clear zone limits.

**LUMP SUM GRADING:**

(8-17-10)

226

SP2 R16

Lump sum grading shall be performed in accordance with Section 226 Comprehensive Grading of the *2012 Standard Specifications* except as follows:

Delete all references to:  
Section 200 Clearing & Grubbing

The removal of existing pipes at approximate Station 19+00 - L2 - and associated grading shown on Sheet 7 of the plans will be considered incidental to this item of work.

**TRAIL CONSTRUCTION:****Description**

The contractor shall furnish all materials, labor and equipment necessary to install trails as shown within the contract drawings and described in the specifications.

**Layout and Alignment**

A. Prior to earthwork, the trail alignment shall be flagged by the Department

**REVISED 8/24/2016**

- B. When using rigid edging material such as timber, curved portions of the trail shall be “best fit” using straight segments and maintain the minimum trail width as shown on the drawing. Timber may be cut to a minimum of 4’ lengths on one side of trail to accommodate curves. Edging timbers less than 8’ in length may not be placed continuous unless approved by the engineer.
- C. Longitudinal slope shall not equal or exceed 5% unless handrails are provided.
- D. Top of trail shall be maintained above existing adjacent grades. Cross slope shall be in the direction as indicated on the plans, but shall generally be in the direction of existing grade in areas of relatively flat (<5%) topography.

**Trail Construction**

- A. Subgrade shall be firm and consist of primarily sandy soils, and shall not contain root material or significant amounts of organics and fine grades material. If such material is present, the contractor shall notify the engineer for inspection of the subgrade.
- B. Place base course material over subgrade, maintain cross slope as indicated on the plans.
- C. Compact sub-base and base courses at optimum moisture content to required grades, lines, cross sections, and thickness to not less than 95 percent of maximum dry density according to ASTM D 698.
- D. When thickness of compacted aggregates is 6 inches or less, place materials in a single layer.
- E. When thickness of compacted sub-base or base course exceeds 6 inches, place materials in equal layers, with no layer more than 6 inches thick or less than 3 inches thick when compacted.
- F. Total thickness of compacted aggregate measured in place shall not be less than ½” of that specified on the plan thickness at any single location, with the average of test locations not being less than the plan thickness.

**Materials**

Trail will be constructed with 6” x 4” Timbers that are treated with minimum segment lengths of 8’ that are approved by NCDOT. Timbers will be held in place with Iron Rebar Pins- Grade 60, ASTM A615. Surface materials shall be Screened Granite that is to be free or organic material, mica, clay or other deleterious material. Particle size shall be distributed as follows:

Particle Size	% of passing
3/8”	100%
No. 4	90 – 100%
No. 8	55 – 80%
No. 16	40 – 70%
No. 30	25 – 50%
No. 200	6 – 15%

Payment will be made under:

<b>Pay Item</b>	<b>Pay Units</b>
Generic Paving Item (Trail Construction)	Linear Foot

**REVISED 8/24/2016****FLOATING TURBIDITY CURTAIN:****Description**

This work consists of furnishing a *Floating Turbidity Curtain* to deter silt suspension and movement of silt particles during construction. The floating turbidity curtain shall be constructed at locations as directed.

**Materials**

The curtain material shall be made of a tightly woven nylon, plastic or other non-deteriorating material meeting the following specifications:

<b>Property</b>	<b>Value</b>
Grab tensile strength	*md-370 lbs *cd-250 lbs
Mullen burst strength	480 psi
Trapezoid tear strength	*md-100 lbs *cd-60 lbs
Apparent opening size	70 US standard sieve
Percent open area	4% permittivity 0.28 sec-1

\*md - machine direction

\*cd - cross machine direction

In the event that more than one width of fabric is required, a 6" overlap of the material shall also be required.

The curtain material shall be supported by a flotation material having over 29 lbs/ft buoyancy. The floating curtain shall have a 5/16" galvanized chain as ballast and dual 5/16" galvanized wire ropes with a heavy vinyl coating as load lines.

**Construction Methods**

The Contractor shall maintain the *Floating Turbidity Curtain* in a satisfactory condition until its removal is requested by the Engineer. The curtain shall extend to the bottom of the jurisdictional resource. Anchor the curtain according to manufacturer recommendations.

**Measurement and Payment**

*Floating Turbidity Curtain* will be measured and paid for as the actual number of square yards of curtain furnished as specified and accepted. Such price and payment will be full compensation for the work as described in this section including but not limited to furnishing all materials, tools, equipment, and all incidentals necessary to complete the work.

Payment will be made under:

<b>Pay Item</b>	<b>Pay Unit</b>
Floating Turbidity Curtain	Square Yard

County : Dare

Line #	Item Number	Sec #	Description	Quantity	Unit Cost	Amount
<b>ROADWAY ITEMS</b>						
0001	0000100000-N	800	MOBILIZATION	Lump Sum	L.S.	
0002	0001000000-E	200	CLEARING & GRUBBING .. ACRE(S)	Lump Sum	L.S.	
0003	0063000000-N	SP	GRADING	Lump Sum	L.S.	
0004	0163000000-E	250	REMOVAL OF EXISTING CONCRETE PAVEMENT	10 SY		
0005	2752000000-E	SP	GENERIC PAVING ITEM (ELEV WALKWAY CONST)	195 LF		
0006	2752000000-E	SP	GENERIC PAVING ITEM (ELEV WALKWAY CONST, NO RAILS)	133 LF		
0007	2752000000-E	SP	GENERIC PAVING ITEM (TRAIL CONST)	1,410 LF		
0008	2759000000-N	SP	GENERIC PAVING ITEM (5'X4'X4" CONC DRAINAGE OUTLET PAD)	8 EA		
0009	2759000000-N	SP	GENERIC PAVING ITEM (CONC CURB RAMPS)	1 EA		
0010	6000000000-E	1605	TEMPORARY SILT FENCE	100 LF		
0011	6084000000-E	1660	SEEDING & MULCHING	0.6 ACR		
0012	6048000000-E	SP	FLOATING TURBIDITY CURTAIN	15 SY		

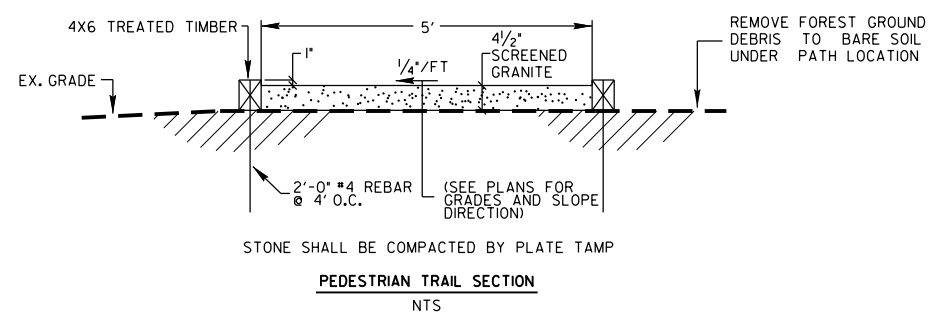
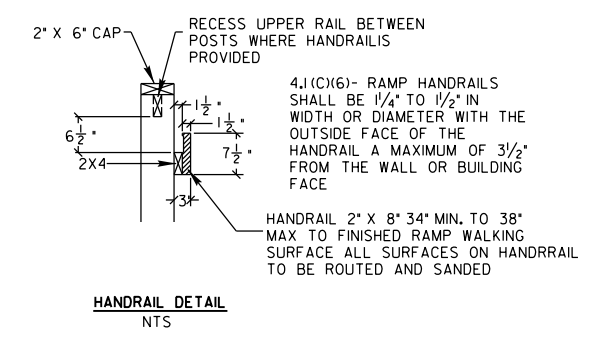
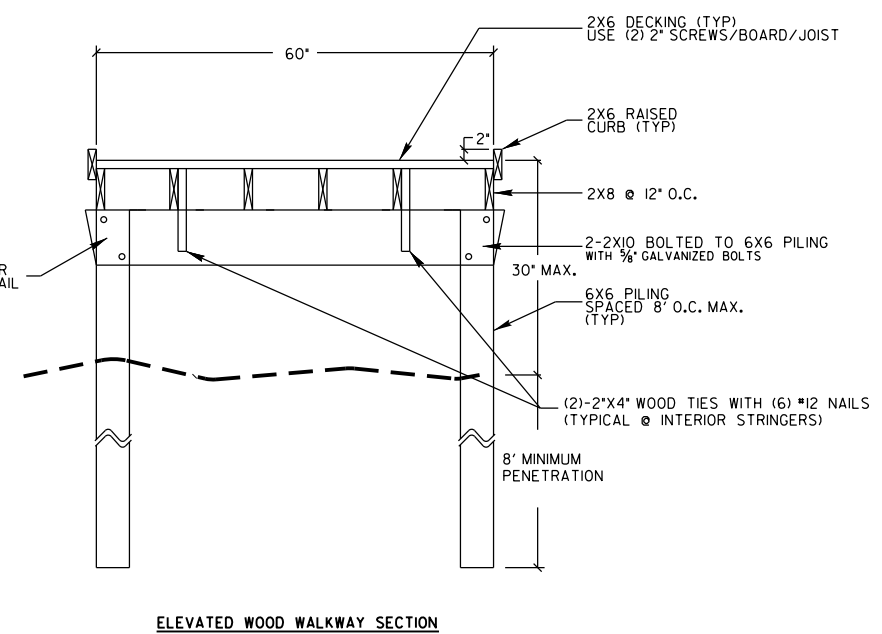
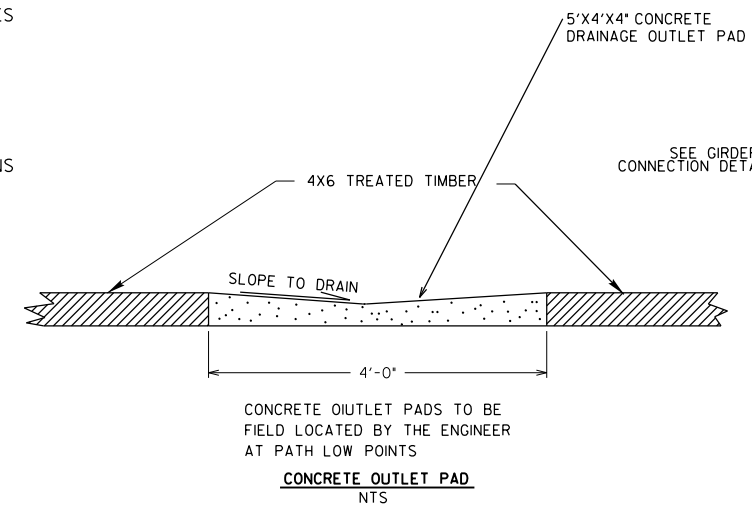
1451/Aug24/Q1875.6/D32133100000/E12

Total Amount Of Bid For Entire Project :

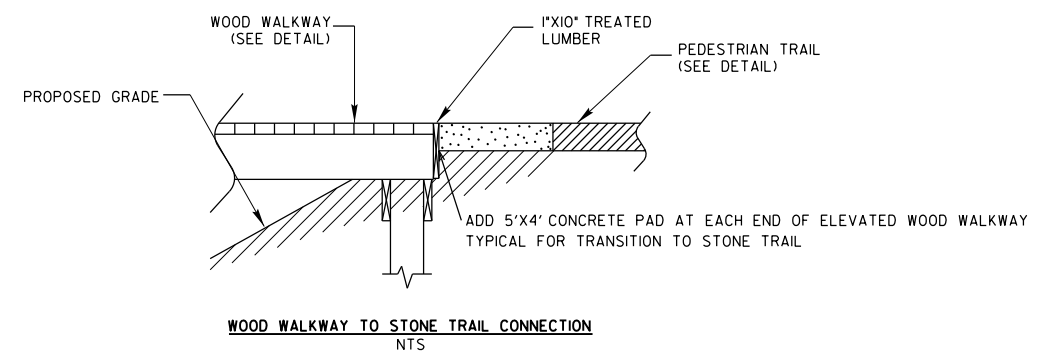
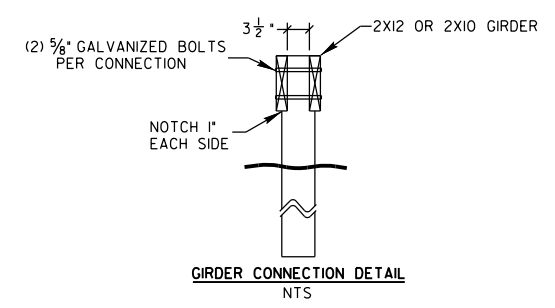
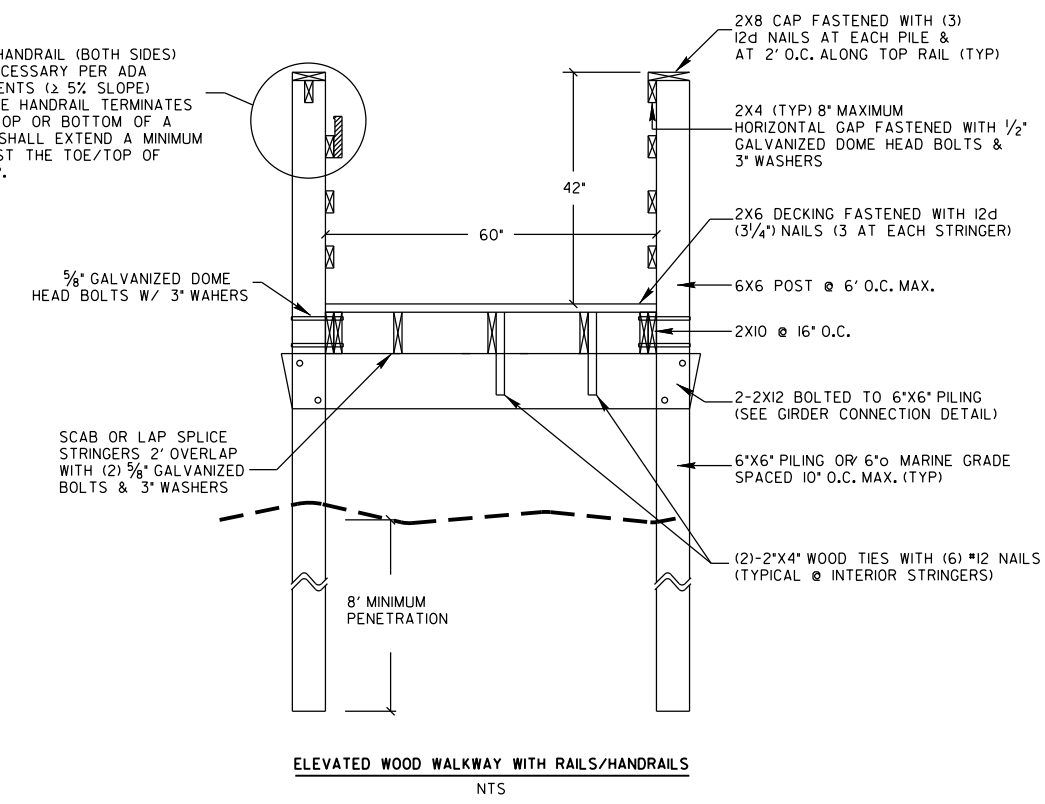
**ELEVATED WOOD WALKWAY NOTES:**

1. IN CASE OF DISCREPANCY IN DIMENSIONS OR DETAILS, BETWEEN MANUFACTURER AND STRUCTURAL DRAWINGS NOT AFFECTING STRENGTH, THE MANUFACTURERS PLANS SHALL GOVERN. FOR DIMENSIONS AND DETAILS NOT SHOWN, SEE MANUFACTURERS PLANS.
2. WHERE A DETAIL IS SHOWN ON STRUCTURAL DRAWINGS FOR ONE CONDITION, IT SHALL APPLY TO ALL SIMILAR OR LIKE CONDITIONS, UNLESS NOTED OR SHOWN OTHERWISE ON PLANS.
3. ALL ITEMS SHALL BE TIGHTLY ANCHORED OR ATTACHED SQUARE, PLUMB AND TRUE, OR IN OTHER PLANES AND SHAPES AS SHOWN ON THE DRAWINGS. JOINTS SHALL BE TIGHT, EVEN, AND FREE OF OFFSETS. NO FIELD ALTERING OF ANY MEMBERS WILL BE ALLOWED THAT WILL CAUSE THEM NOT TO BE IN ACCORDANCE WITH THE DRAWINGS AND SPECIFICATIONS, WITHOUT WRITTEN APPROVAL OF THE PROJECT ENGINEER.
4. THE DIMENSIONS SHOWN WITH A SUFFIX " " ARE APPROXIMATE AND SHALL BE VERIFIED BY THE CONTRACTOR BEFORE FABRICATION.
5. IF THE CONTRACTOR FINDS A DIFFERENCE BETWEEN THESE DRAWINGS AND EXISTING ELEVATIONS, OR OTHER CONDITIONS WHICH PROHIBIT EXECUTION OF THE WORK AS DIRECTED IN THESE DRAWINGS, CONTRACTOR SHALL NOTIFY ENGINEER IMMEDIATELY.
6. LUMBER SHALL BE RATED (AWPA STANDARDS) AS FOLLOWS:
  - PILINGS:**  
SET OUTSIDE OF TIDE ZONES: UC-4C  
SET IN SALT OR BRACKISH WATER AND TIDE ZONES: UC-5B
  - GIRDERS:**  
WITHIN SPLASH PRONE AREAS IN SALT OR BRACKISH WATER INSIDE TIDE ZONES: UC-5B  
OTHER: UC-4B
  - STRINGERS/JOISTS/TIES:**  
GROUND CONTACT OR SPLASH ZONE: UC-4B  
OTHER: UC-3B
  - DECKING AND HANDRAILS:**  
GROUND CONTACT OR SPLASH ZONE: UC-4B  
OTHER: UC-3B

7. ALL BOLTS TO BE HOT DIP GALVANIZED, ALL FASTENERS TO BE STAINLESS STEEL OR TREATED FOR EXTERIOR EXPOSURE AND USE.



PROVIDE HANDRAIL (BOTH SIDES) WHERE NECESSARY PER ADA REQUIREMENTS (2 5% SLOPE) WHERE THE HANDRAIL TERMINATES AT THE TOP OR BOTTOM OF A RAMP, IT SHALL EXTEND A MINIMUM OF 12" PAST THE TOE/TOP OF THE RAMP.



8/17/99  
 24-AUG-2016 08:53  
 C:\Users\stefan\OneDrive\Documents\Projects\Wantedo Wellness\RTWT\_d01\_sh2.dgn  
 11/11/2016 10:55:46 AM

REVISED: 8/24/16

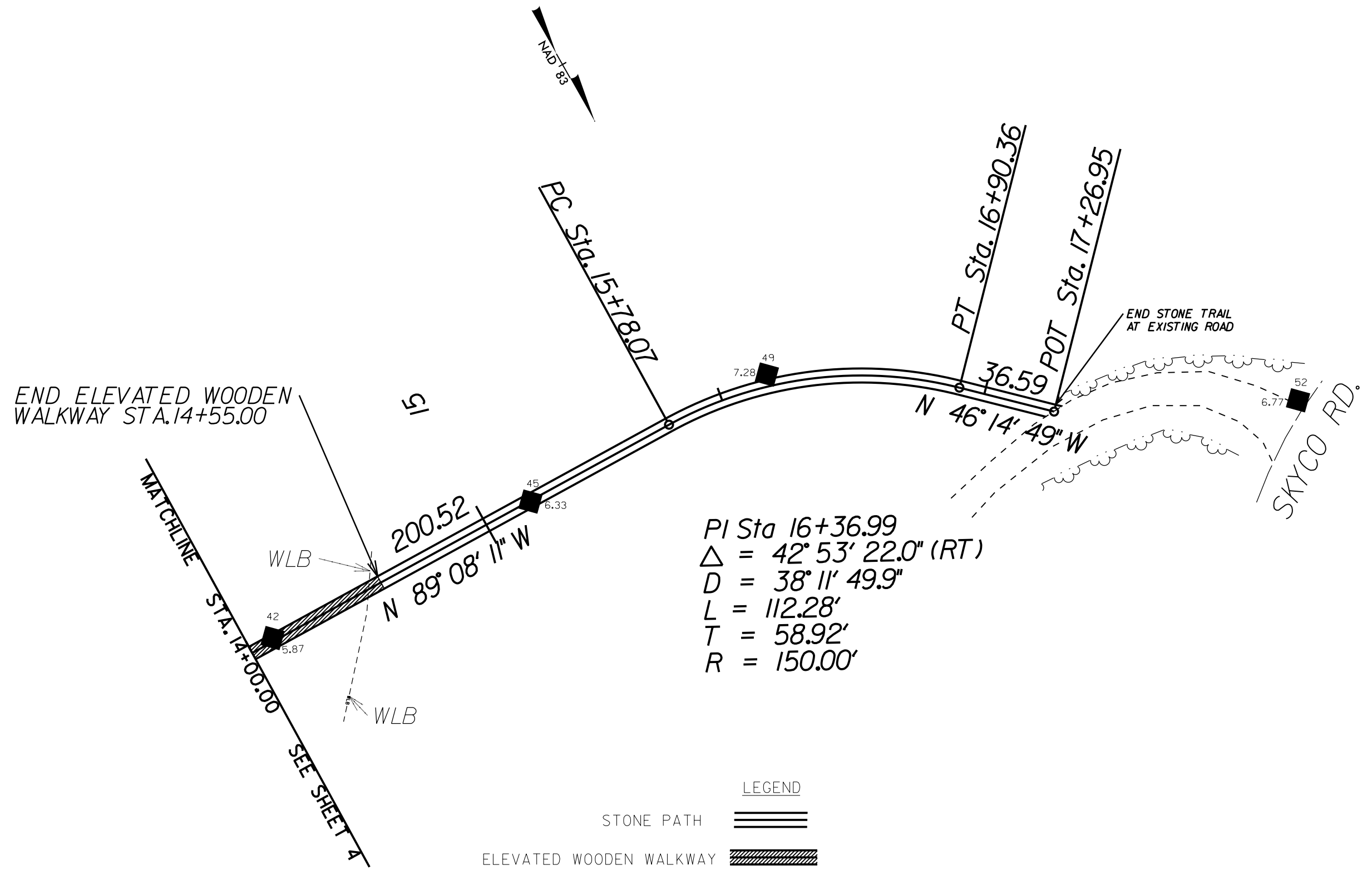
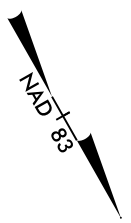
PROJECT NO.		SHEET NO.
44226		3

SUMMARY OF QUANTITIES																							
PROJECT NO	COUNTY	MAP NO	ROUTE	DESCRIPTION	TYP NO	LANES	LANE TYPE	FINAL SURFACE TESTING REQUIRED	WARM MIX ASPHALT REQUIRED	LENGTH MI	WIDTH FT	MOBILIZATION LS	CLEARING & GRUBBING .. ACRE(S) LS	GRADING LS	REMOVAL OF EXISTING CONCRETE PAVEMENT SY	5' X 4' X 4" CONCRETE DRAINAGE OUTLET PAD EA	TRAIL CONST LF	ELEVATED WALKWAY CONST LF	ELEVATED WALKWAY CONST NO RAILS LF	CONCRETE CURB RAMPS EA	TEMPORARY SILT FENCE LF	FLOATING TURBIDITY CURTAIN SY	SEEDING & MULCHING ACR
44226	Dare	1	1	STONE TRAIL CONSTRUCTION AND ELEVATED WOODEN TRAIL	1	2		NO	NO	0.329	10												
<b>TOTAL FOR MAP NO. 1</b>																							
<b>TOTAL FOR PROJ NO. 44226</b>												<b>1</b>	<b>1</b>	<b>1</b>	<b>10</b>	<b>8</b>	<b>1,410</b>	<b>195</b>	<b>133</b>	<b>1</b>	<b>100</b>	<b>15</b>	<b>0.6</b>

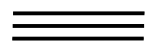



REVISED: 8/24/16

ALIGNMENT -LI-



PI Sta 16+36.99  
 $\Delta = 42^\circ 53' 22.0''$  (RT)  
 $D = 38^\circ 11' 49.9''$   
 $L = 112.28'$   
 $T = 58.92'$   
 $R = 150.00'$

**LEGEND**  
 STONE PATH   
 ELEVATED WOODEN WALKWAY 

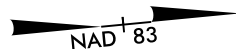
**SCALE: 1" = 20'**  
**FULL SIZE PLANS**

REVISIONS

8/17/99

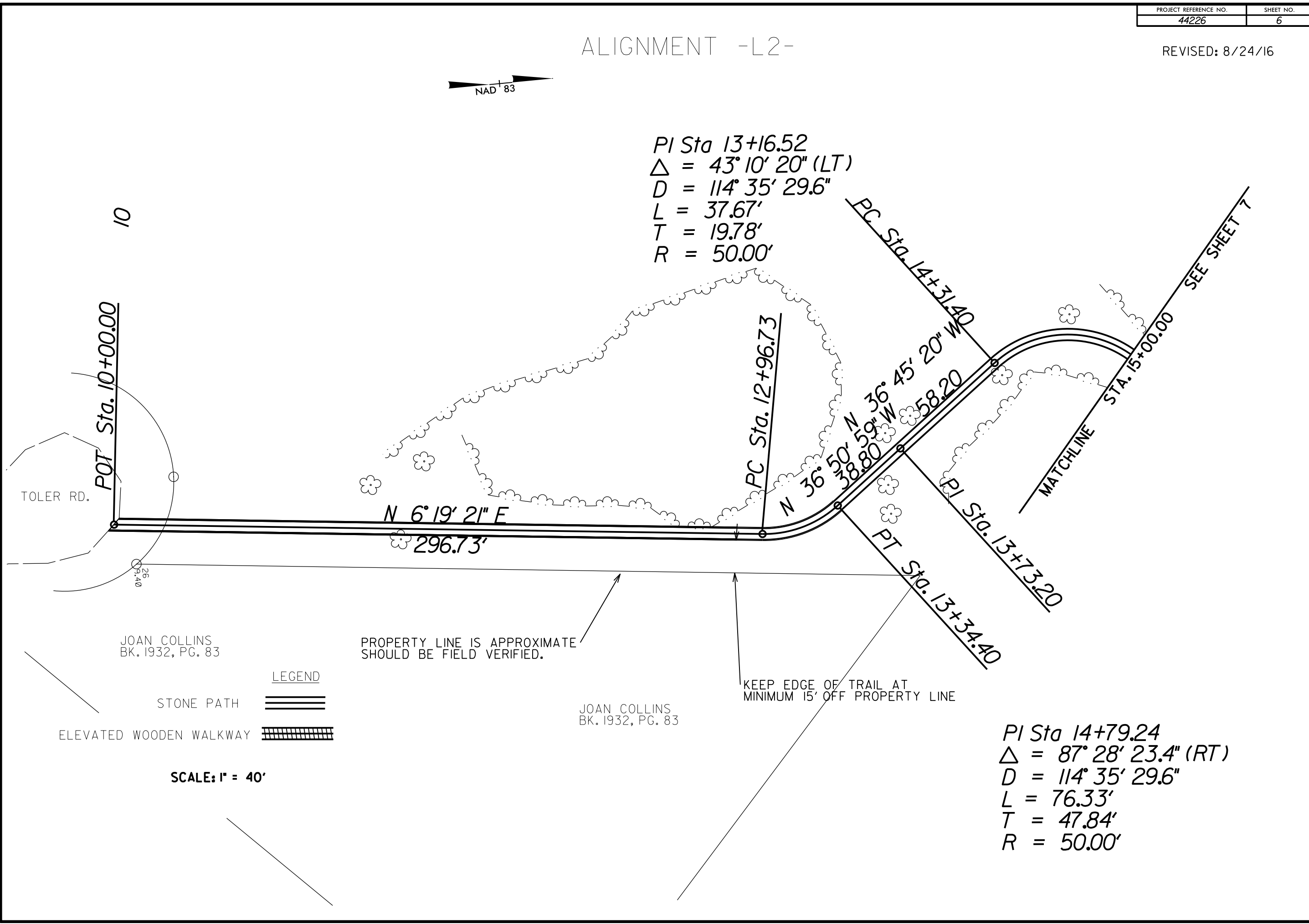
24-AUG-2016 08:56  
 C:\Users\stefan\OneDrive\Documents\Projects\Manteo Welliness\RTW\d01.sh5.dgn  
 stanwick

ALIGNMENT -L2-



PI Sta 13+16.52  
 $\Delta = 43^\circ 10' 20''$  (LT)  
 $D = 114^\circ 35' 29.6''$   
 $L = 37.67'$   
 $T = 19.78'$   
 $R = 50.00'$

8/17/99  
 REVISIONS  
 24-AUG-2016 08:59  
 C:\Users\stefanw\OneDrive\Documents\Projects\Manteo Wellness\RTW\d01.sh6.dgn  
 stewart



LEGEND

STONE PATH

ELEVATED WOODEN WALKWAY

SCALE: 1" = 40'

# EROSION CONTROL PLAN



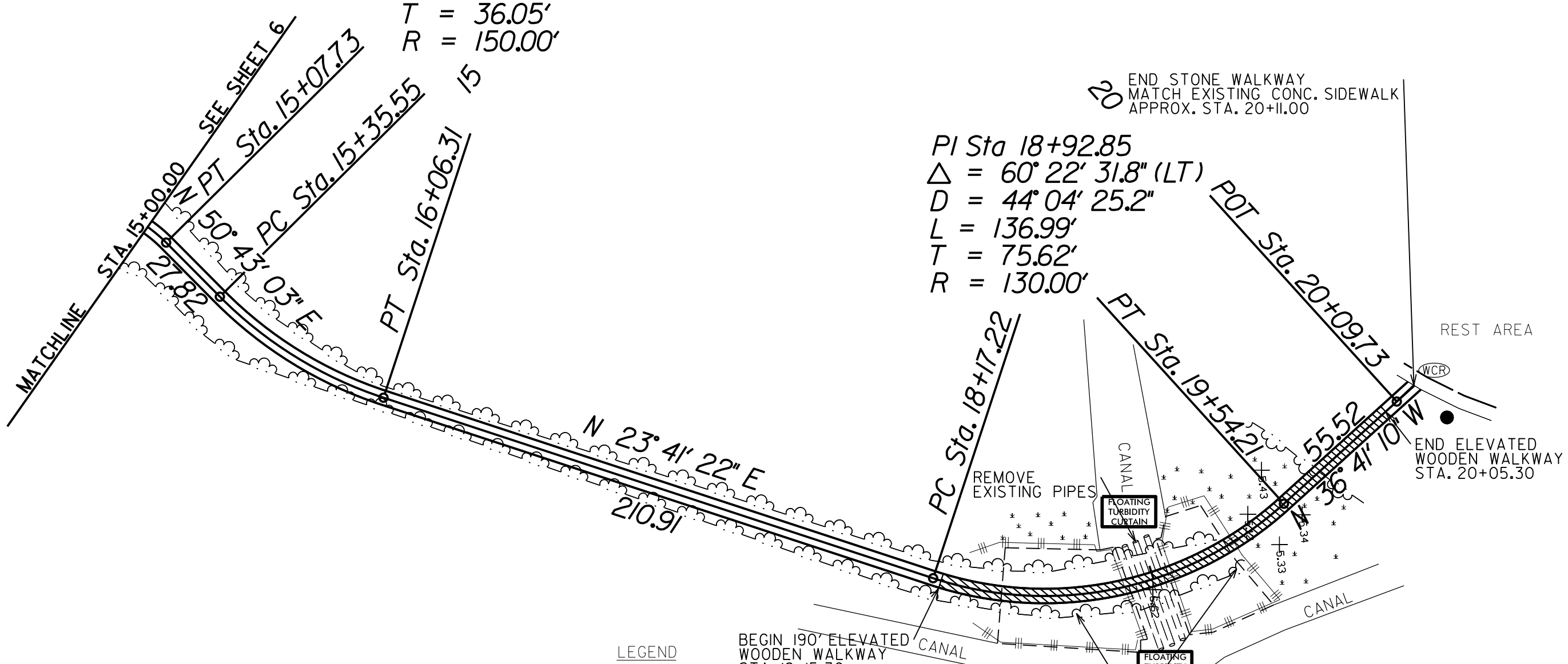
PI Sta 15+71.60  
 $\Delta = 27^\circ 01' 41.2''$  (LT)  
 $D = 38^\circ 11' 49.9''$   
 $L = 70.76'$   
 $T = 36.05'$   
 $R = 150.00'$

PI Sta 18+92.85  
 $\Delta = 60^\circ 22' 31.8''$  (LT)  
 $D = 44^\circ 04' 25.2''$   
 $L = 136.99'$   
 $T = 75.62'$   
 $R = 130.00'$

PI Sta 14+79.24  
 $\Delta = 87^\circ 28' 23.4''$  (RT)  
 $D = 114^\circ 35' 29.6''$   
 $L = 76.33'$   
 $T = 47.84'$   
 $R = 50.00'$

LEGEND	
STONE PATH	
ELEVATED WOODEN WALKWAY	
TEMPORARY SILT FENCE	
FLOATING TURBIDITY CURTAIN	

8/17/99  
 REVISIONS  
 24-AUG-2016, 08:55  
 C:\Users\stefan\OneDrive\Documents\Projects\Manteo Wellness\RTWT.d01.L2.Ch7.dgn  
 10'



SCALE: 1" = 20'  
 FULL SIZE PLANS